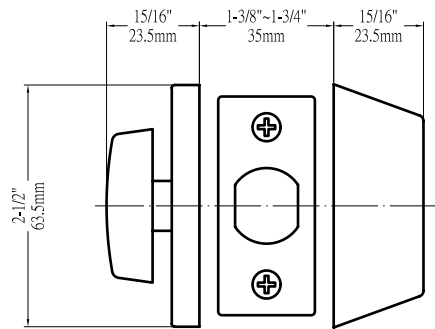
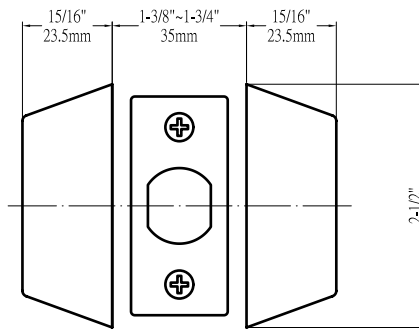


DEADBOLTS

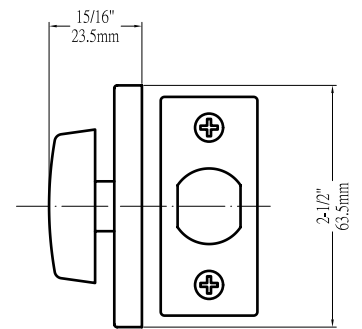
Old World Quality New Age Design



Single Cylinder (200)



Double Cylinder (210)



One-Sided Half Bore (205)

STANDARD SPECIFICATIONS

Door Prep	Cross bore: 2-1/8" Edge bore: 1" Latch face: 1" x 2-1/4"	Latches	Deadbolt: 2-3/8" & 2-3/4" adjustable (9092) Faceplate: 1" x 2-1/4" round corner Bolt: 1" throw with hardened steel rod
Backset	Fits 2-3/8" and 2-3/4"	Strikes	2-1/4" full lip round corner (9113 & 9117)
Door Thickness	1-3/8" ~ 1-3/4" door standard	Wood Screws	Combination screws that suit both wood or metal door mounting
Cylinder	KW1 5-pin standard. SC1 5-pin optional Deadbolts packed KA5	Door Handing	Not Required

PRICING

Model	Function	PVD	US3	US5	US15	US15A	US26	Antique Silver	US10B	US10BE	BLACK	
200S	Single Cylinder	Item No.	KA2009	KA2003	KA2005	KA2001	KA2008	KA2006	KA2002	KA2000	KA2007	KA2004
		List Price										
210S	Double Cylinder	Item No.	KA2109	KA2103	KA2105	KA2101	KA2108	KA2106	KA2102	KA2100	KA2107	KA2104
		List Price										
205S	One-Sided Half-Bore	Item No.	—	KD2003	KD2005	KD2001	KD2008	—	—	—	—	—
		List Price										

CTN/QTY & WEIGHTS

Model	Function	WT/LB	CTN QTY
200S	Single Cylinder	27 Lbs	20 Pcs
210S	Double Cylinder	36 Lbs	20 Pcs
205S	One-Sided Half-Bore	15 Lbs	20 Pcs



THE DELANEY CO.

Copyright © THE DELANEY CO. All rights reserved.