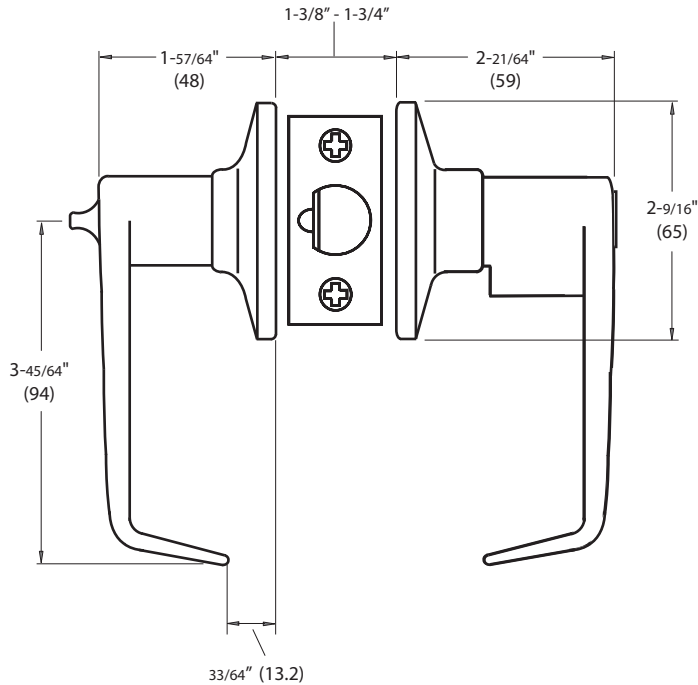


ESCORT LEVER LOCKSET



DIMENSIONS



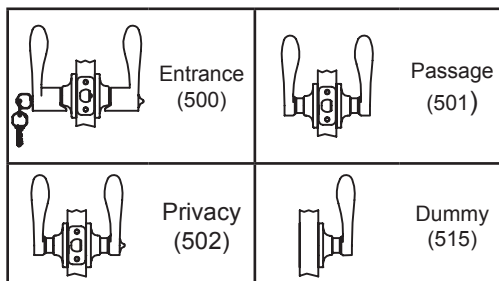
STANDARD SPECIFICATIONS

Door Prep	Cross bore: 2-1/8" Edge bore: 1" Latch face: 1" x 2-1/4"
Backset	Fits 2-3/8" and 2-3/4"
Door Thickness	1-3/8" ~ 1-3/4" door standard
Cylinder	KW1 5-pin standard (Solid Brass) SC1 5-Pin optional. Entries packed KA5
Latches	Entrance: 2-3/8" & 2-3/4" adjustable (9045R) Passage/Privacy: 2-3/8" & 2-3/4" adj. (9074) Faceplate: 1" x 2-1/4" round corner Bolt: 1/2" throw
Strikes	1-3/4" x 2-1/4" full lip round corner (9103)
Wood Screws	Combination screws that suit both wood or metal door mounting
Door Handing	Reversible

PRICING

Model	Function	WT/ CTN	CTN QTY		US15	US3	US26D	US10B
500T - ET	Entrance	26 Lbs	20 Pcs	Item No.	220320	220323	220322	221329
				List Price				
504T - ET	Storeroom	26 Lbs	20 Pcs	Item No.	226320	—	226322	226329
				List Price				
501T - ET	Passage	23 Lbs	20 Pcs	Item No.	224320	224323	224322	224329
				List Price				
502T - ET	Privacy	24 Lbs	20 Pcs	Item No.	222320	222323	222322	222329
				List Price				
515 - ET	Dummy	15 Lbs	20 Pcs	Item No.	225320	225323	225322	225329
				List Price				

FUNCTIONS



THE DELANEY CO.

Copyright © THE DELANEY CO. All rights reserved.