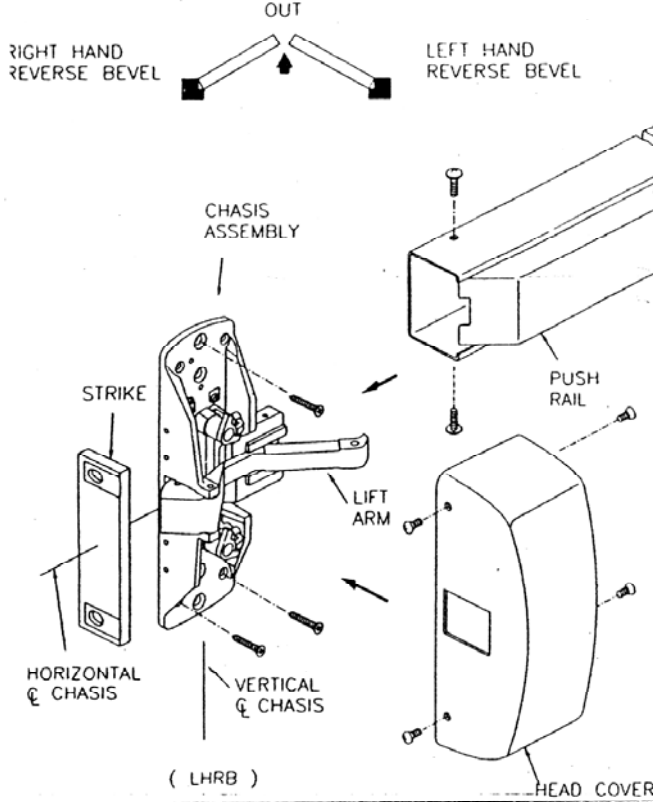
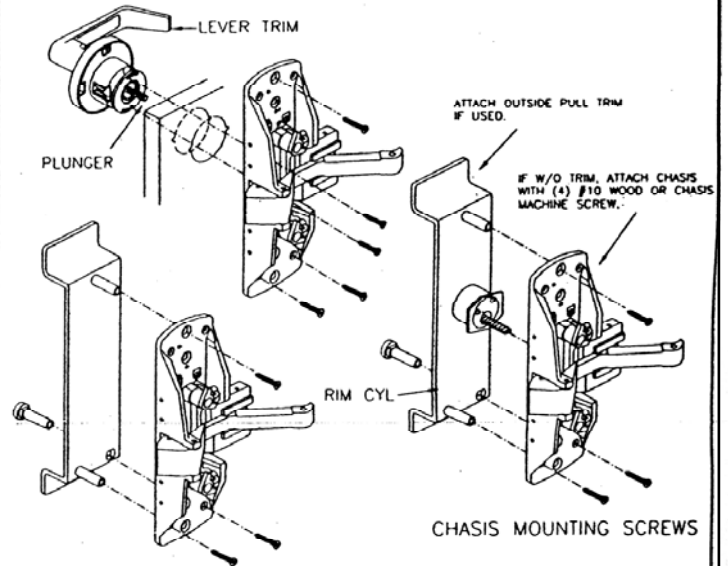


INSTALLATION INSTRUCTIONS FOR F9800 SERIES PANIC EXIT DEVICE

BEFORE INSTALLING DEVICE, PLEASE CHECK :
 IF DOOR FITTED AND HUNG.
 SIZE OF EXIT DEVICE, FUNCTION AND DESIGN.
 2.1. 36" DOORS, CAN BE CUT TO FIT DOORS DOWN TO 30" WIDE.
 2.2. 48" DOORS, CAN BE CUT TO FIT DOORS DOWN TO 36" WIDE.
 2.3. HAND OF DEVICE AGAINST APPLICATION.

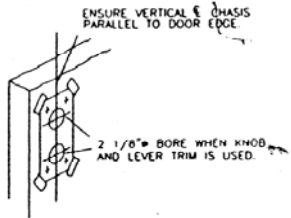


2. APPLY HARDWARE

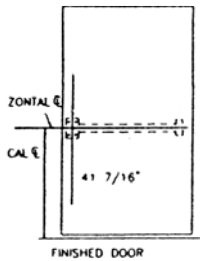


PREPARE DOOR

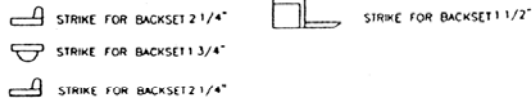
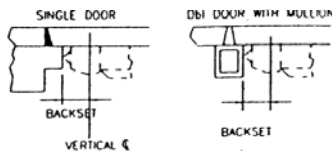
1. FOR 2 1/8" BORE PREP. POSITION TEMPLATE OVER EXITING HOLE AND MARK FOR TWO CHASIS MOUNTING SCREW HOLES.



2. FOR DOOR W/O BORE PREP. MARK VERTICAL CHASIS AND HORIZONTAL CHASIS USING DIMENSIONS BELOW.

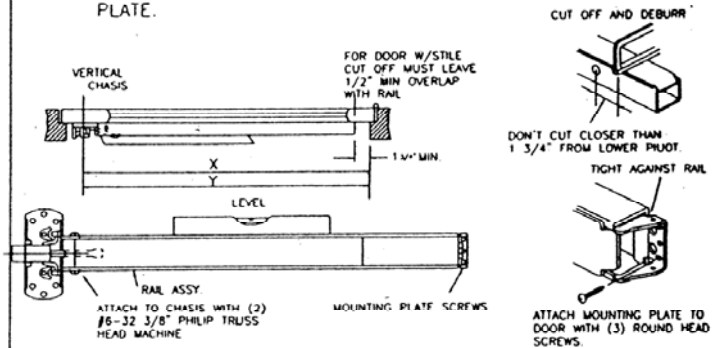


IDENTIFY TYPE OF INSTALLATION TO DETERMINE LOCATION OF VERTICAL CHASIS



3. APPLY RAIL ASSEMBLY

1. CHECK THE SIZE OF DEVICE, IF CUTTING TO LENGTH IS REQUIRED.
 2. DETERMINE CUT OFF LENGTH "X" BY SUBTRACTING 1 3/4" FROM "Y" MARK CUT OFF POINT ON MOUNTING RAIL.
 3. DRESS PRESS ARM INTO RAIL OPENING AND SLIDE RAIL ONTO CHASIS. LEVEL RAIL AND FASTEN CHASIS AND MOUNTING PLATE.



4. APPLY COVER AND STRIKES

